
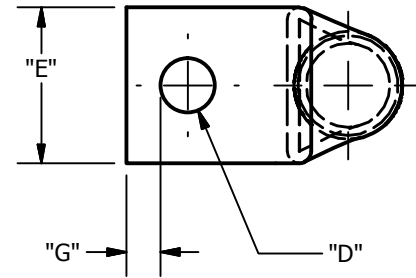
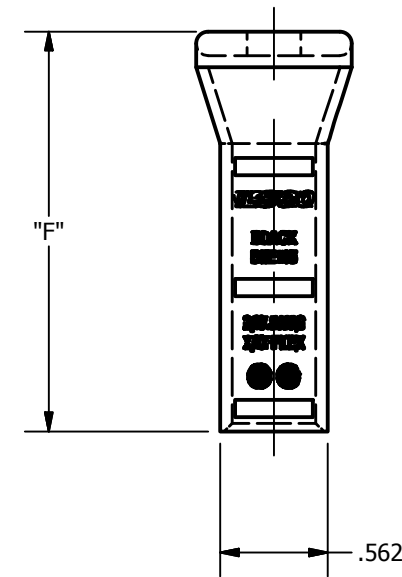
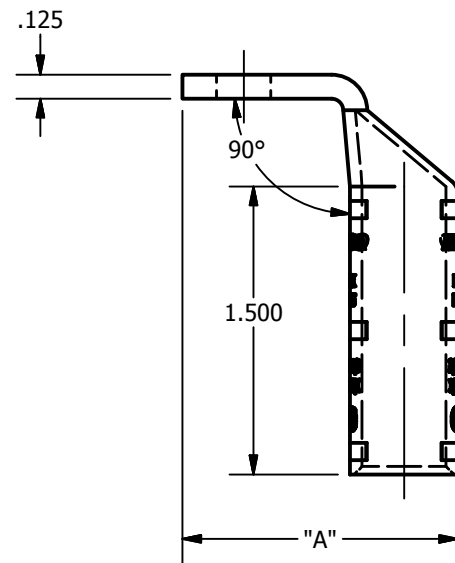


SCREW: NONE	MATERIAL: COPPER	REV: H	 800-776-9775 www.ilSCO.com
CAT. NO.: SEE CHART	PLATING: EL-TIN	DRAWN BY: DW SCALE: NTS	
INFORMATION SHEET: FORM 157	MARKING: SEE CHART	DATE: 6/3/2008 SIZE: B	
			DWG NO: Y0803-S-9
			SHEET: 1 OF 1



DETAIL C
INK MARK TOP AND BOTTOM



CATALOG NUMBER	"A"	"D"	"E"	"F"	"G"	TANG MARKING
CLNB-2/0-10-9	1.228	0.219	0.811	2.128	0.148	
CLNB-2/0-14-9	1.541	0.281	0.811	2.128	0.180	
CLNB-2/0-12-9	1.916	0.562	0.811	2.128	0.265	ILSCO, CLNB-2/0-12-9, 2/0 AWG, 1/0 FLEX, DIE 45, UL, CSA
CLNB-2/0-58-9	2.103	0.656	TBD	2.128	0.343	
CLNB-2/0-34-9	2.353	0.781	0.969	2.128	0.359	
CLNB-2/0-38-9	1.541	0.406	0.811	2.128	0.211	ILSCO, CLNB-2/0-38-9, 2/0 AWG, 1/0 FLEX, DIE 45, UL, CSA
CLNB-2/0-516-9	1.541	0.343	0.811	2.128	0.180	ILSCO CLNB-2/0-516-9, 2/0 AWG, 1/0 FLEX, DIE 45, UL, CSA